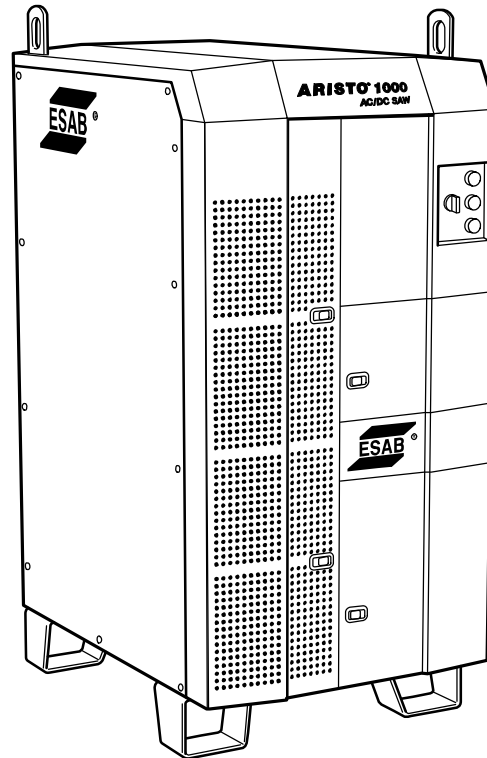


Spare parts list

Edition 20120607



Valid for serial no. 145-xxx-xxxx, 221-xxx-xxxx

Ordering no. Product

0462 100 880 Welding power source Aristo® 1000 AC/DC SAW

Spare parts are to be ordered through the nearest ESAB agency. Kindly indicate type of unit, serial number, denominations and ordering numbers according to the spare parts list.

Maintenance and repair work should be performed by an experienced person, and electrical work only by a trained electrician. Use only recommended spare parts.

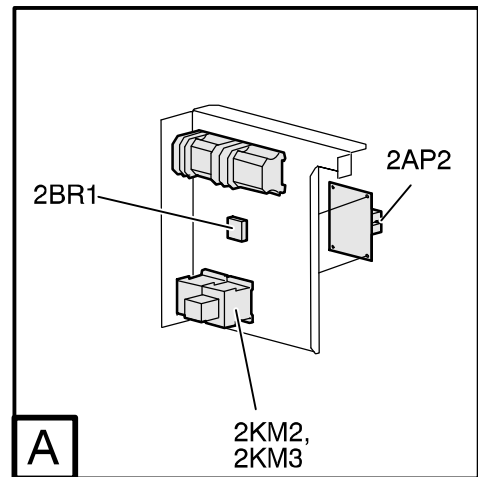
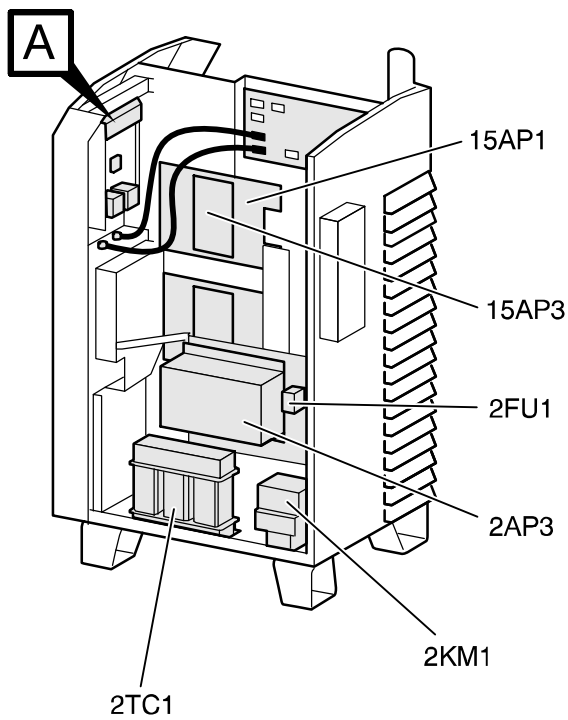
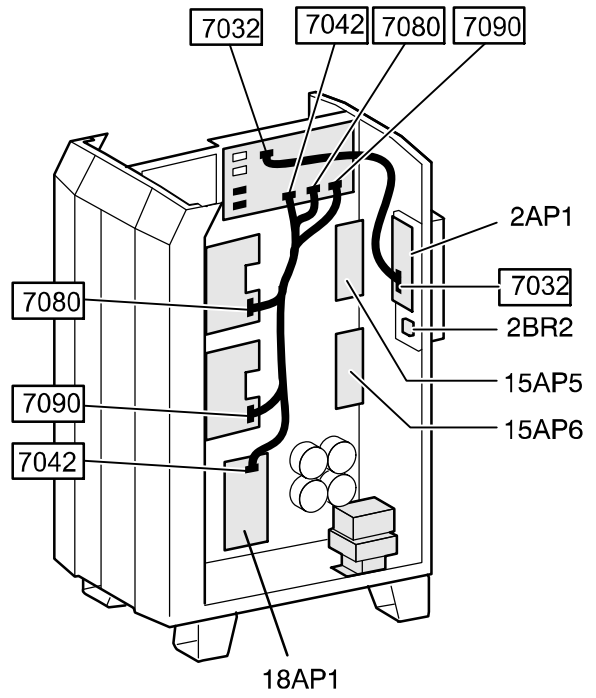
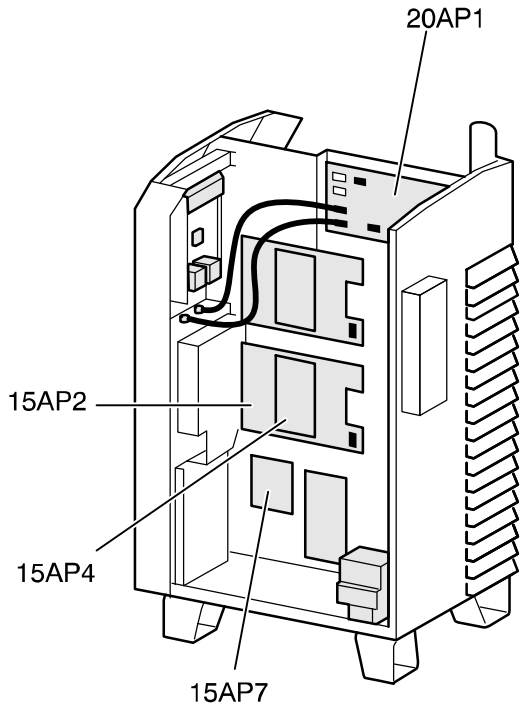
Rights reserved to alter specifications without notice.

Aristo 1000 AC/DC SAW

C = component designation in the circuit diagram

C	Denomination	Notes
2AP1	PCB internal power supply	See item AC9 on page 8
2AP2	PCB power on	See item AC20 on page 8
2AP3	EMC filter	See item AC1 on page 8
2BR2	Rectifier bridge	See item AC8 on page 8
2BR1	Rectifier bridge	See item AC18 on page 8
2FU1	Fuse	See item AC14 on page 8
2KM1	Contactora	See item AC3 on page 8
2KM2, 2KM3	Mini contactora	See item AC17 on page 8
2TC1	Control transformer	See item AC2 on page 8
15AP1	PC-board power board	See item AE5 on page 12
15AP2	PC-board power board	See item AE5 on page 12
15AP3	PC-board filter	See item AE1 on page 12
15AP4	PC-board filter	See item AE1 on page 12
15AP5	PC-board secondary rectifier	See item AF10 on page 14
15AP6	PC-board secondary rectifier	See item AF10 on page 14
15AP7	PCB soft start	See item AG11 on page 16
18AP1	PC-board AC-control	See item AG1 on page 16
20AP1	PC-board	See item AC4 on page 8

Aristo 1000 AC/DC SAW

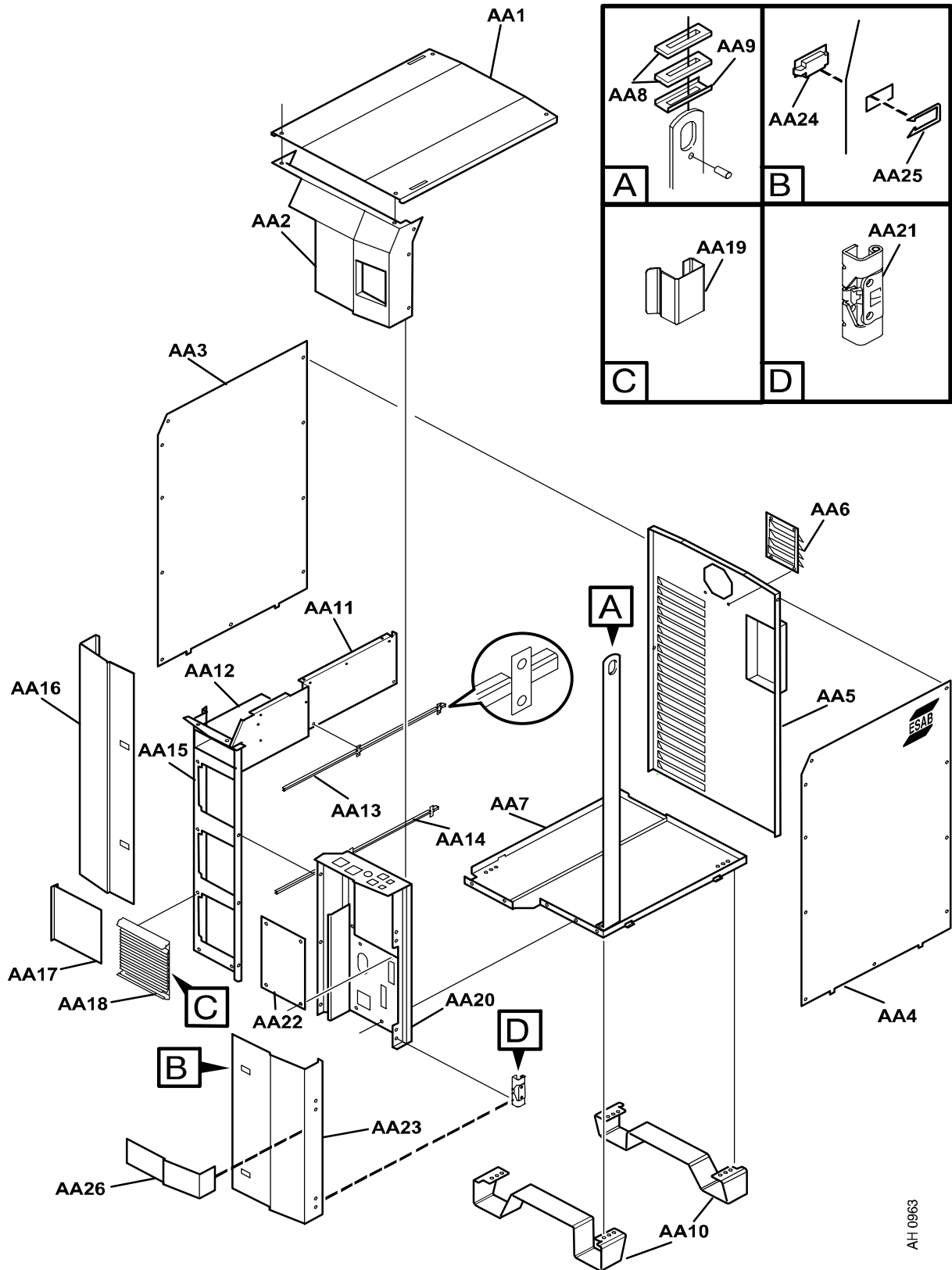


AH 0965

Aristo 1000 AC/DC SAW

Item	Qty	Ordering no.	Denomination	Notes
AA1	1	0462 091 001	Support plate	
AA2	1	0462 112 881	Front piece welded	Screened
AA3	1	0462 134 001	Side cover flat	Right
AA4	1	0462 134 002	Side cover flat	Left
AA5	1	0462 099 880	Rear plate	
AA6	1	0465 090 880	Exhaust	
AA7	1	0462 101 880	Bottom plate	
AA8	4	0468 797 001	Seal	
AA9	2	0468 796 001	Support plate	
AA10	2	0462 992 001	Foot	
AA11	1	0463 109 001	Intermediate plate	
AA12	1	0462 128 880	Storage box assembly	
AA13	2	0463 110 001	Sealing plate	
AA14	1	0463 110 002	Sealing plate	
AA15	1	0462 126 001	Front inner	
AA16	1	0462 093 001	Door filter	
AA17	3	0458 398 003	Filter	
AA18	3	0459 725 012	Profile front	
AA19	3	0463 042 001	Clamp	
AA20	1	0462 127 001	Terminal plate	
AA21	4	0462 981 001	Hing	
AA22	1	0463 041 001	Cover	
AA23	1	0462 094 001	Door connections	
AA24	4	0349 312 092	Lock	
AA25	4	0369 561 002	Clamp	
AA26	1	0463 038 001	Label door	

Aristo 1000 AC/DC SAW



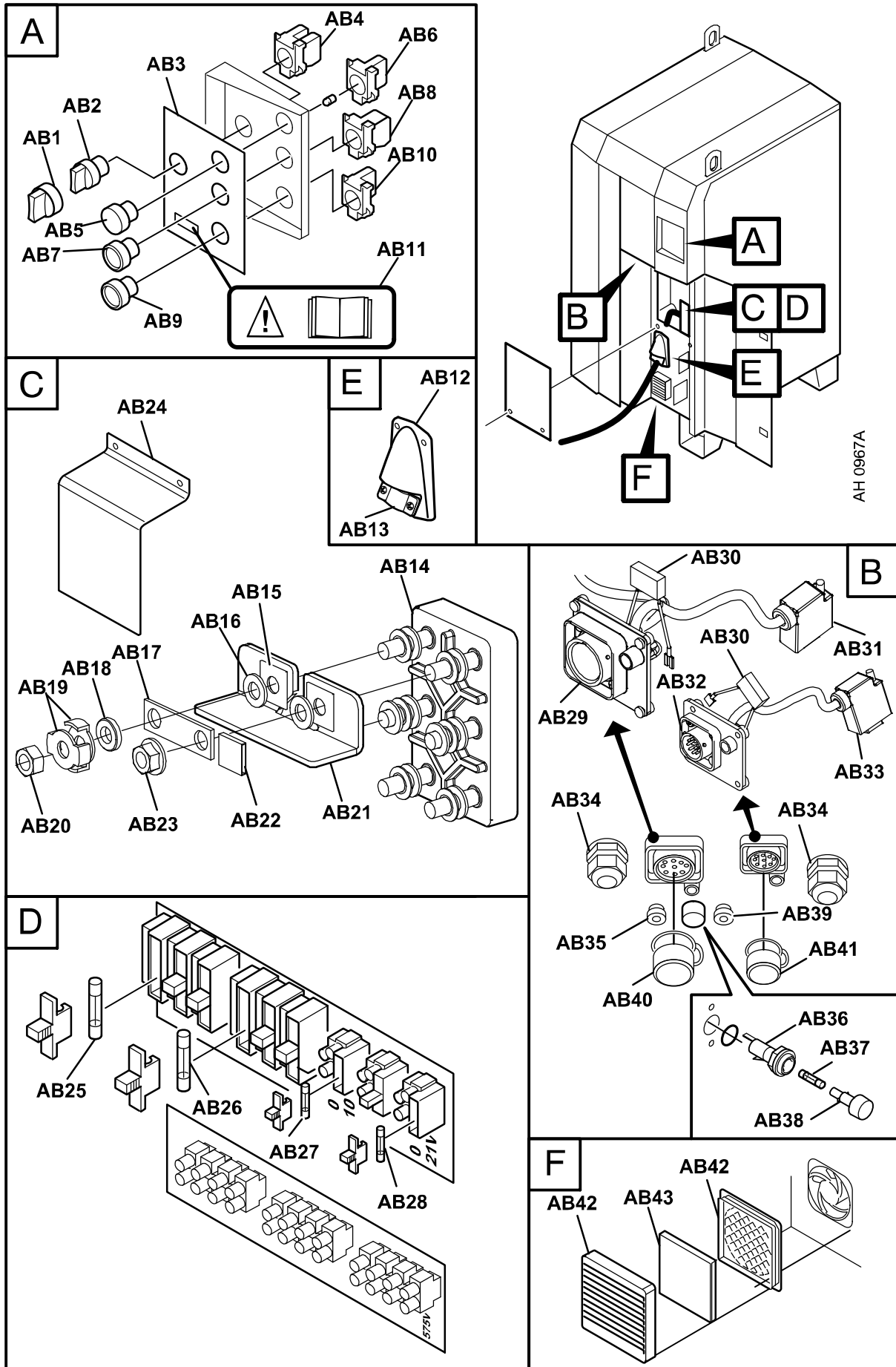
AH 0963

Aristo 1000 AC/DC SAW

C = component designation in the circuit diagram

Item	Qty	Ordering no.	Denomination	Notes	C
AB1	1	0463 214 001	Dust protection to switch		
AB2	1	0463 210 001	Selector switch		
AB3	1	0463 037 001	Label panel		
AB4	1	0463 209 001	Body / contact	2x ON	
AB5	1	0463 210 004	Pilot lights	With orange LED	
AB6	1	0463 209 004	Body / Contact	1x orange led	
AB7	1	0463 210 003	Start button	With white LED	
AB8	1	0463 209 003	Body / Contact	1x ON white led	
AB9	1	0463 210 005	Stop button	Black	
AB10	1	0463 209 002	Body / Contact	1x OFF	
AB11	1	0458 950 001	Sign		
AB12	1	0158 115 880	Cable inlet		
AB13	1	0455 084 001	Cable clamp		
AB14	1	0040 894 001	Connection block		
AB15	4	0465 068 001	Square washer	M8	
AB16	12	-	Washer	D8.4 x 16	
AB17	3	0263 104 126	Connector		
AB18	3	-	Washer	D16 / 8.4 x 3	
AB19	6	-	Washer	KB 8.5	
AB20	3	-	Nut	M8 steel	
AB21	2	0465 057 001	Isolation, Connection block		
AB22		-	Schrinking tubing		
AB23	3	-	Nut	M6MF-8	
AB24	1	0463 243 001	Protective shield		
AB25	3	-	Fuse	10 A, 6.3 x 32 mm	2FU2, 2FU3, 2FU4
AB26	3	-	Fuse	16 A, 6.3 x 32 mm	2FU6, 2FU7, 2FU8
AB27	2	-	Fuse	3,15 A, 5 x 20 mm	2FU9, 2FU10
AB28	1	-	Fuse	1 A, 5 x 20 mm	2FU5
AB29	1	0459 854 002	Insulation	28 pol	
AB30	2	0467 911 884	Capacitor	0,1 μ F 250V	20C2, 20C3
AB31	1	0458 681 909	Cable CAN	D-sub	
AB32	1	0457 800 001	Insulation		
AB33	1	0458 681 910	Cable CAN	D-sub	
AB34	2	0194 269 002	Grommet	M20, 5-10	
AB35	1	0523 300 202	Screw terminal	Red	
AB36	1	0193 701 002	Fuse holder		
AB37	1	-	Fuse	3.15 A, 5 x 20	20FU1
AB38	1	0193 701 001	Knob		
AB39	1	0523 300 201	Screw terminal	Black	
	1	0467 911 884	Capacitor	0,1 μ F 250V	20C1
AB40	1	0449 346 001	Dust cap	28 pol	
AB41	1	0366 285 001	Protection cap	12 pol	
AB42	1	0465 055 001	Filter holder		
AB43	1	0441 828 003	Air filter		

Aristo 1000 AC/DC SAW

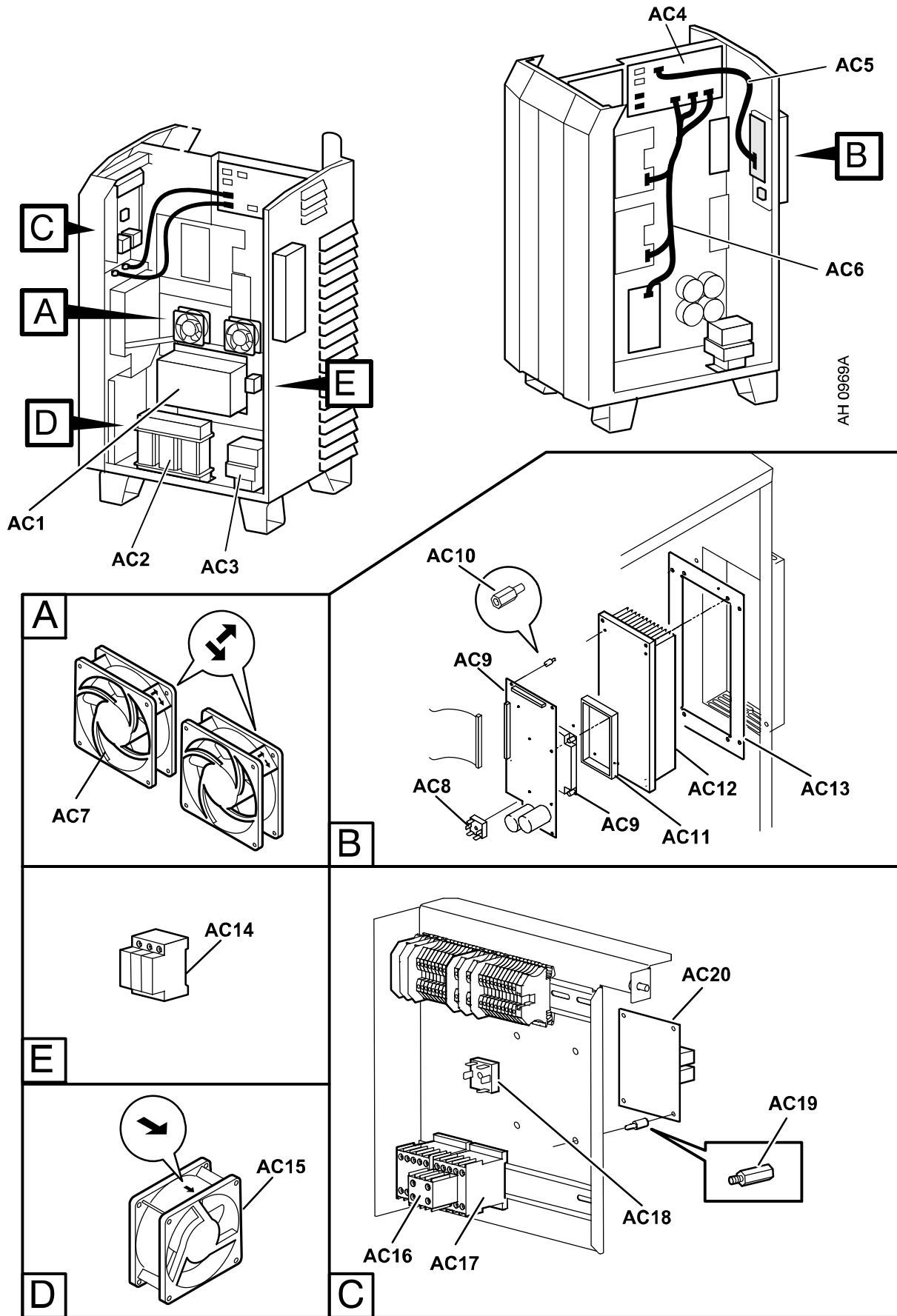


Aristo 1000 AC/DC SAW

C = component designation in the circuit diagram

Item	Qty	Ordering no.	Denomination	Notes	C
AC1	1	0463 048 001	EMC filter		2AP3
AC2	1	0463 013 001	Control transformer		2TC1
AC3	1	0442 849 884	Contactora	24 C DC coil.	2KM1
AC4	1	0487 995 880	PC-board	Replaces PC-board 0487 784 880	20AP1
AC5	1	0193 700 721	Ribbon cable with connectors		
AC6	1	0193 700 720	Ribbon cable with connectors		
AC7	2	0465 139 880	Internal fan	120	2EV1, 2EV3
AC8	1	0193 316 108	Rectifier bridge		2BR2
AC9	1	0487 877 880	PCB internal power supply		2AP1
AC10	5	0394 516 019	Spacer screw	M4x12	
AC11	1	0463 141 001	Gasket DCDC		
AC12	1	0463 118 001	Heat sink DC-DC converter		
AC13	1	0463 133 001	Insulation frame		
AC14	1	0463 050 001	Fuse	GV2RT14.	2FU1
AC15	1	0465 059 880	Fan with contact		2EV2
AC16	1	0463 237 001	Auxiliary contact block		
AC17	2	0463 047 001	Mini contactora		2KM2, 2KM3
AC18	1	0193 316 108	Rectifier bridge		2BR1
AC19	4	0394 516 003	Distance screw	M3x10	
AC20	1	0487 867 880	PCB power on		2AP2

Aristo 1000 AC/DC SAW

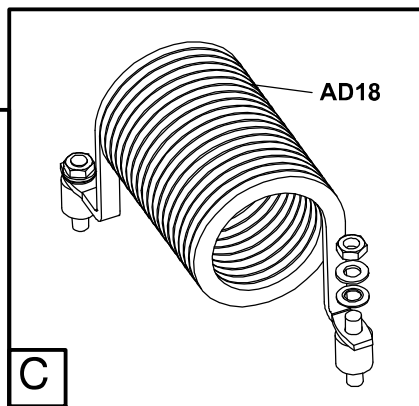
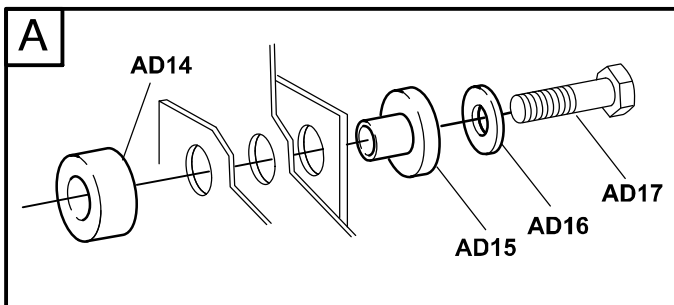
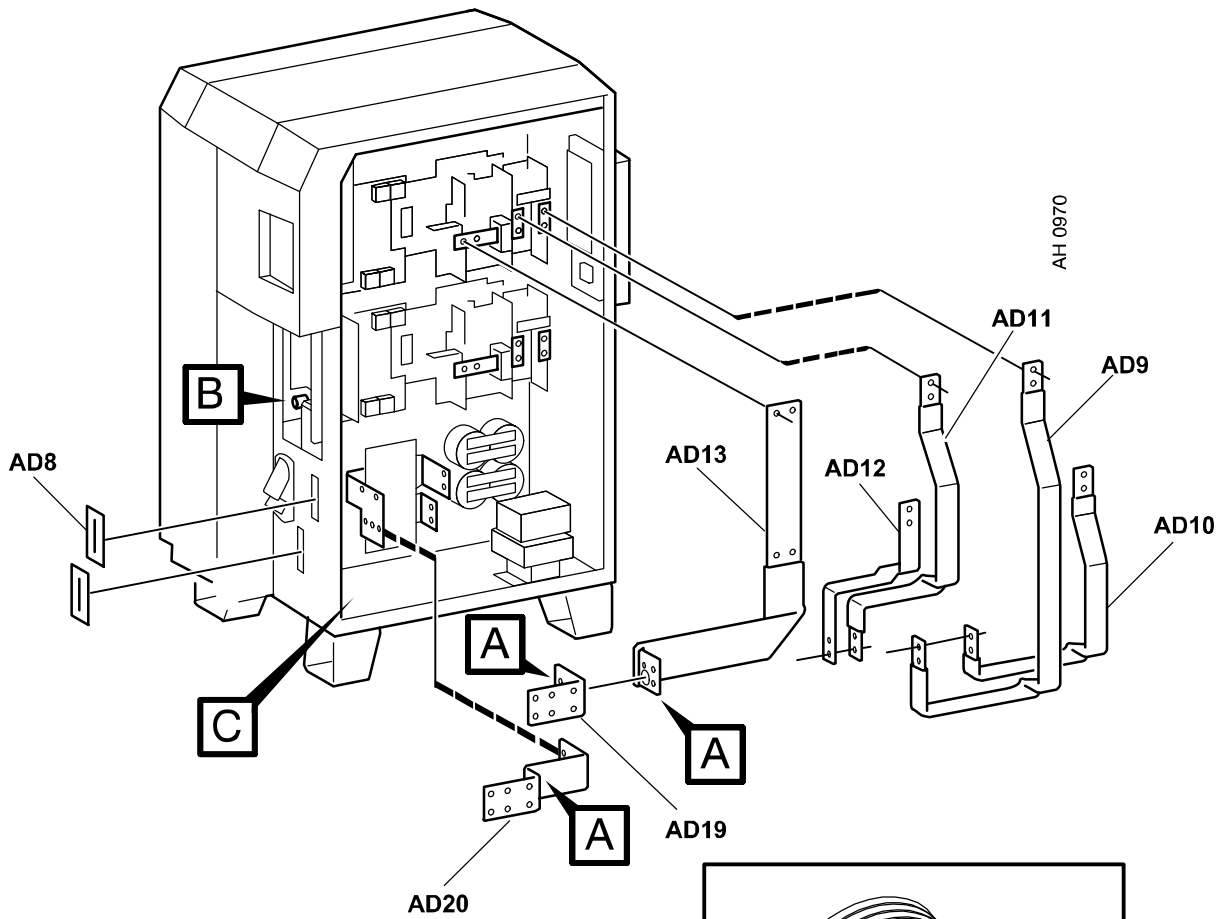
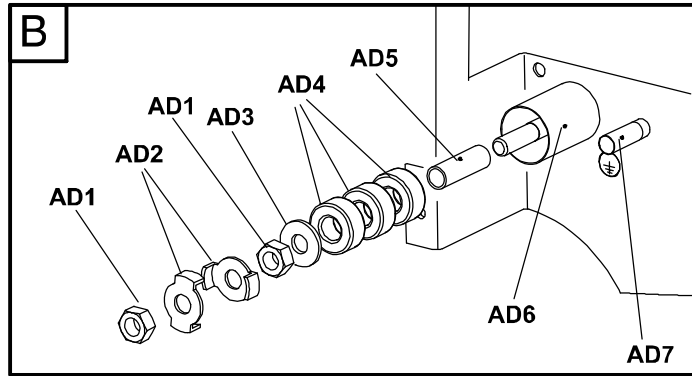


Aristo 1000 AC/DC SAW

C = component designation in the circuit diagram

Item	Qty	Ordering no.	Denomination	Notes	C
AD1	2	-	Nut	M8	
AD2	2	-	Washer	KB 8.5	
AD3	7	-	Washer	D10/8.4x2	
AD4	3	0194 034 002	Ferrite core		2L11, 2L12, 2L13
AD5	1	0465 083 002	Pipe, steel		
AD6	1	-	Shrinking tubing	40 mm	
AD7	1	-	Hose PVC	D9 x 0,35m 10mm	
AD8	2	0468 797 003	Gasket		
AD9	1	0463 035 002	Bar flexible	DC plus	
AD10	1	0463 035 001	Bar flexible	DC minus	
AD11	1	0463 034 001	Bar flexible	DC minus	
AD12	1	0463 034 002	Bar	DC minus, AC	
AD13	1	0463 033 001	Bar flexible middle		
AD14	6	0163 139 001	Bushing		
AD15	6	0162 414 002	Insulating tube		
AD16	5	-	Washer	D20/8.4x2	
AD17	4	-	Screw	M8x30	
AD18	1	0465 162 001	Coil		
AD19	1	0462 965 001	Connection bar middle		
	1	0465 183 880	Chassi capacitor		18C5
AD20	1	0463 211 001	Connection bar	AC	
		-	Shrinking tubing	20 mm	

Aristo 1000 AC/DC SAW



Aristo 1000 AC/DC SAW

C = component designation in the circuit diagram

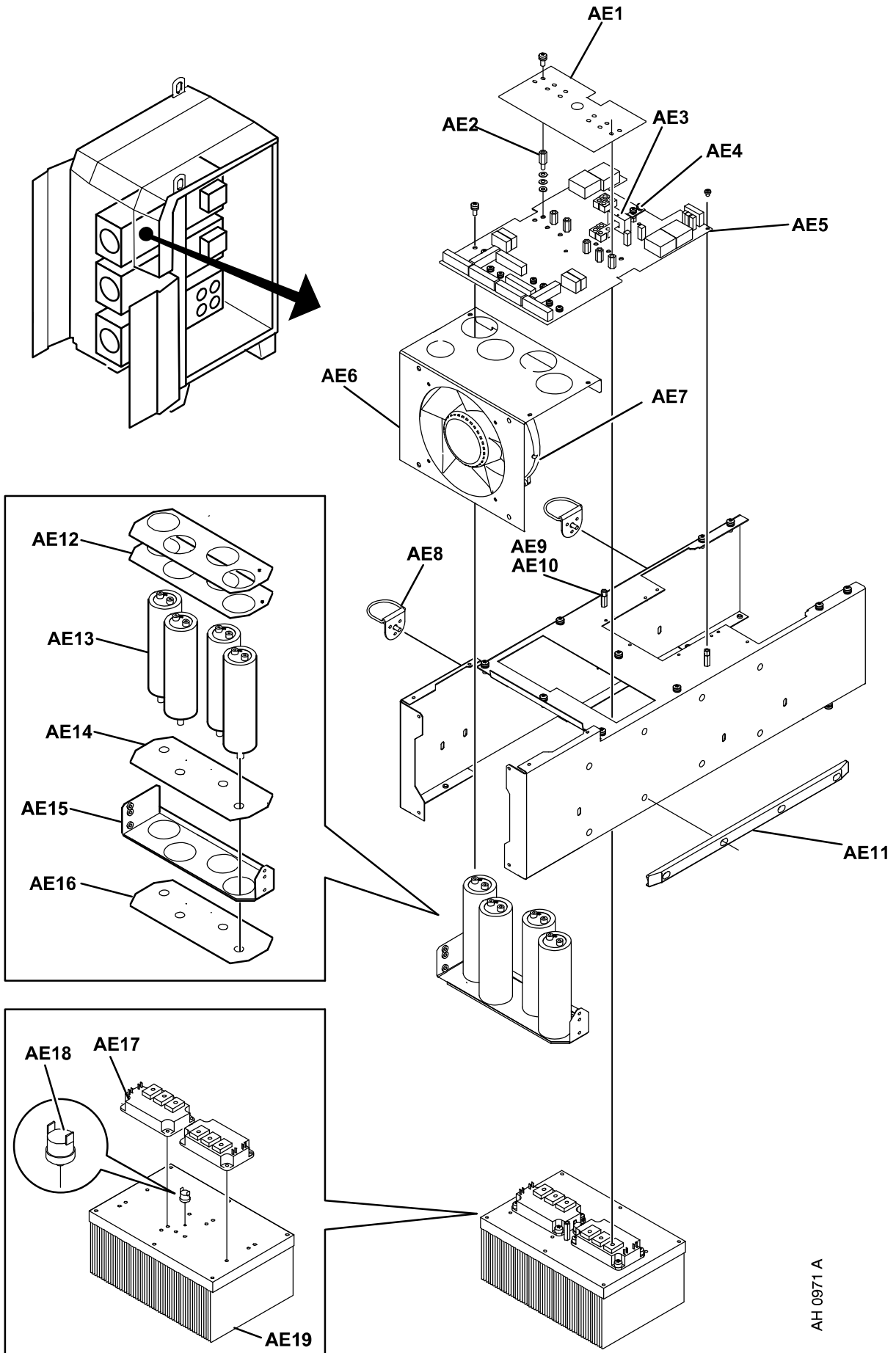
Note. Describes only one module

Item	Qty	Ordering no.	Denomination	Notes	C
AE1	1	0487 831 880	PC-board filter		15AP3, 15AP4
AE2	6	0394 516 049	Spacing screw	M6x20	
AE3	1	0462 047 001	Bar shunt		
AE4	1	0394 516 033	Spacing screw	M2x12	
AE5	1	0487 733 880	PC-board power board		15AP1, 15AP2
AE6	1	0462 102 001	Fan bracket		
AE7	1	0463 153 880	Fan complete		15EV1, 15EV2
AE8	2	0463 094 001	Lifting bracket		
AE9	2	0394 516 036	Spacing screw	M5x20	
AE10	2	0394 516 031	Spacing screw	M5x8	
AE11	2	0469 223 001	Slide bar		
AE12	2	0463 095 001	Neoprene gasket		
AE13	4	0194 378 101	Capacitor	500V 2700µF	15C1-15C4 15C5-15C8
AE14	1	0463 204 001	Insulation board		
AE15	1	0462 097 001	Holder lower		
AE16	1	0463 203 001	Insulation plate		
AE17	2	-	IGBT transistors	See item AE50	PM1, PM2
AE18	1	0456 113 890	Thermal switch prim. Ind.		
AE19	1	0462 001 001	Heat sink primary		

SPARE PARTS SETS

Item	Ordering no.	Denomination	Notes
AE50	0458 920 880	IGBT modules set	Includes: item AE17 (PM1 and PM2), screw M6x20, thermal compound, roller and mounting instruction

Aristo 1000 AC/DC SAW



AH 0971 A

Aristo 1000 AC/DC SAW

C = component designation in the circuit diagram

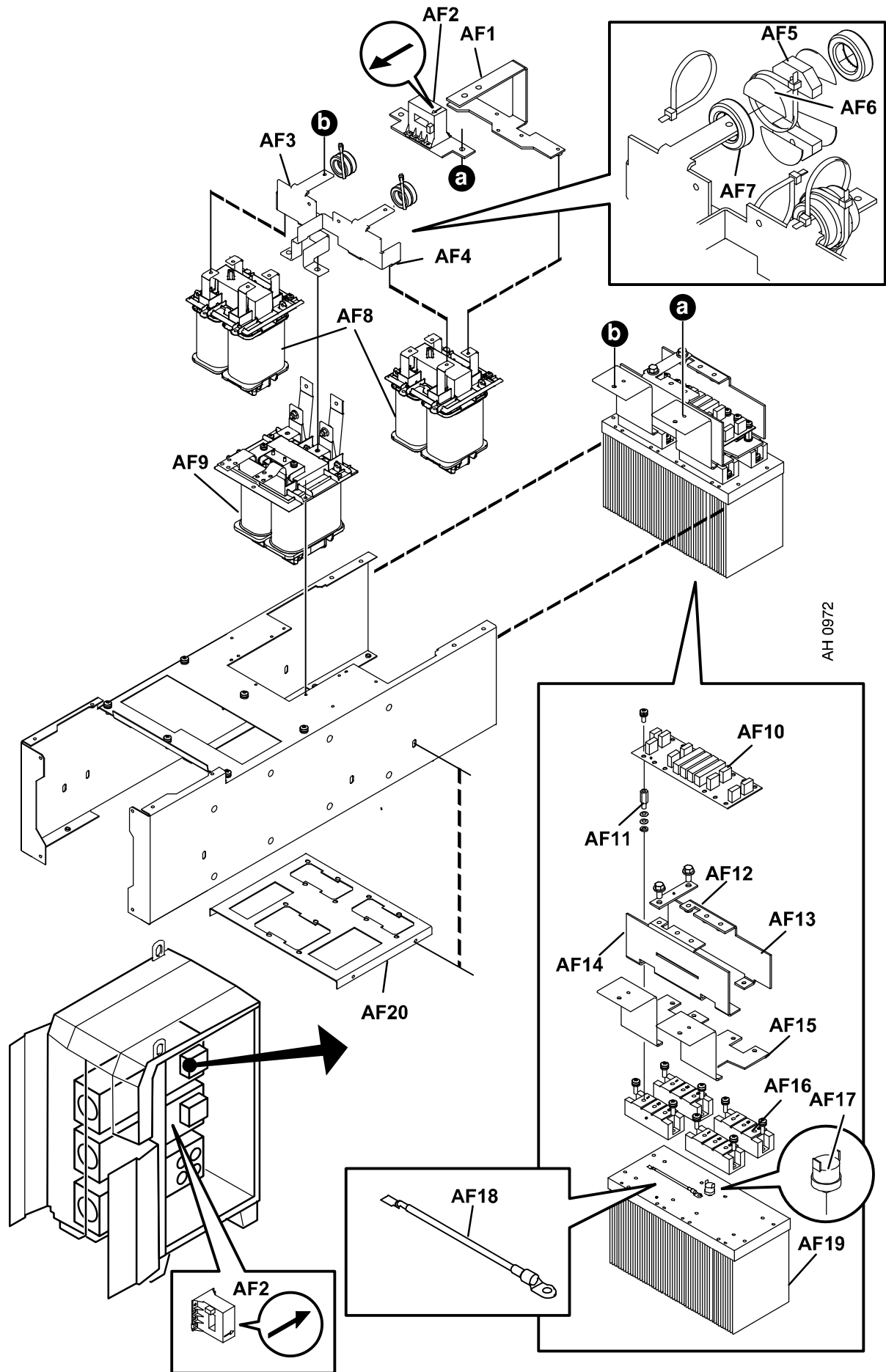
Note. Describes only one module

Item	Qty	Ordering no.	Denomination	Notes	C
AF1	1	0462 048 001	Bar		
AF2	1	0458 063 004	Current sensor		
AF3	1	0462 753 001	Connection bar 1		
AF4	1	0462 753 002	Connection bar 2		
AF5	4	0465 165 001	Heatsink plate		
AF7	4	0455 569 001	Ferrite ring core		15L3 - 15L6 15L7 - 15L10
AF8	2	0462 972 880	Inductor secondary		15L1a, 15L1b, 15L2a, 15L2b
AF9	1	0462 969 880	Transformer		15TM1, 15TM2
AF10	1	0487 825 880	PC-board secondary rectifier		15AP5, 15AP6
AF11	12	0394 516 049	Spacing screw	M6x20	
AF12	1	0463 096 001	Bar bracket		
AF13	1	0462 021 001	Bar DC plus		
AF14	1	0462 020 001	Bar DC minus		
AF15	2	0462 022 001	Bar sec transf		
AF16	4	-	Diode module	See item AF50	D9 - D12
AF17	1	0456 113 891	Thermal switch		
AF18	1	0194 384 002	Thermal protector		
AF19	1	0465 048 001	Heat sink secondary		
AF20	1	0462 105 001	Support trafo / ind		

SPARE PARTS SETS

Item	Ordering no.	Denomination	Notes
AF50	0458 920 882	Diode modules set	Includes: item AF16 Diode module, screw M6x20, thermal compound, roller and mounting instruction. Note: there is only one diode module in the set.

Aristo 1000 AC/DC SAW



Aristo 1000 AC/DC SAW

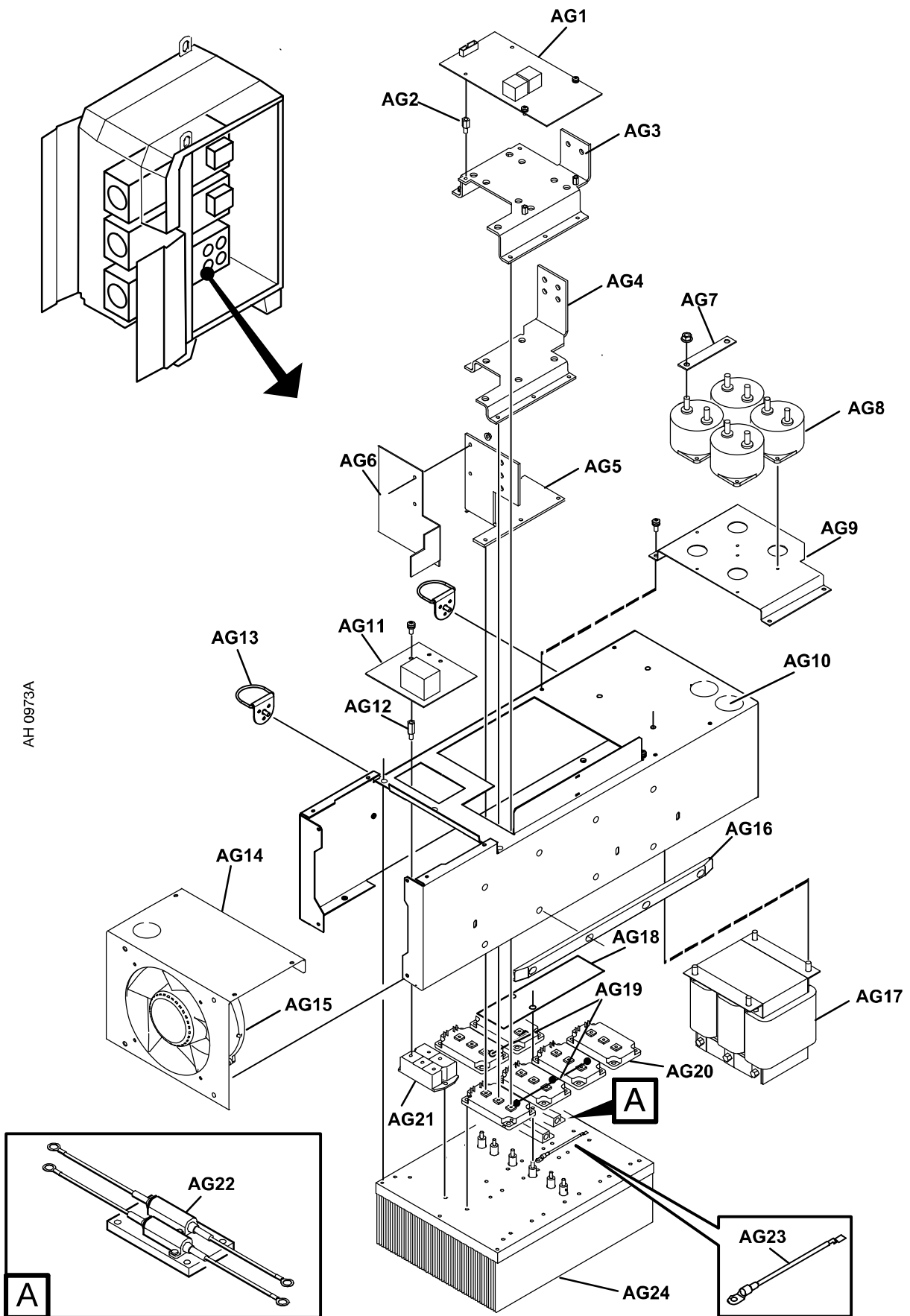
C = component designation in the circuit diagram

Item	Qty	Ordering no.	Denomination	Notes	C
AG1	1	0487 859 880	PC-board AC-control		18AP1
AG2	4	0394 516 033	Spacing screw	M2x12	
AG3	1	0463 104 001	Bar outer		
AG4	1	0462 110 001	Bar middle		
AG5	1	0462 109 001	Bar inner		
AG6	1	0463 217 001	Insulation wall		
AG7	4	0463 154 001	Capacitor bar		
AG8	4	0194 407 001	Capacitor	400V 260µF	18C1 - 18C4
AG9	1	0463 144 001	Capacitor bracket		
AG10	2	0194 069 003	Rubber inlet	Ø37 mm	
AG11	1	0487 872 880	PCB soft start		15AP7
AG12	5	0394 516 049	Spacing screw	M6x20	
AG13	2	0463 094 001	Lifting bracket		
AG14	1	0462 102 002	Fan bracket AC		
AG15	1	0463 153 880	Fan complete		18EV1
AG16	2	0469 223 001	Slide bar		
AG17	1	0463 012 001	Primary inductor		2L1
AG18	1	0463 218 001	Insulation sheet		
AG19	5	-	IGBT-module	500A/600V. See item AG50	18PM1 - 18PM5
AG20	1	-	IGBT-module	500A/600V. See item AG51	18PM6
AG21	1	-	Rectifier bridge	See item AG52	15BR1
AG22	1	0465 074 880	Resistor cable harness	50W 1500ohm	18R1, 18R2
AG23	1	0194 384 002	Thermal protector		
AG24	1	0462 003 002	Heat sink		

SPARE PARTS SETS

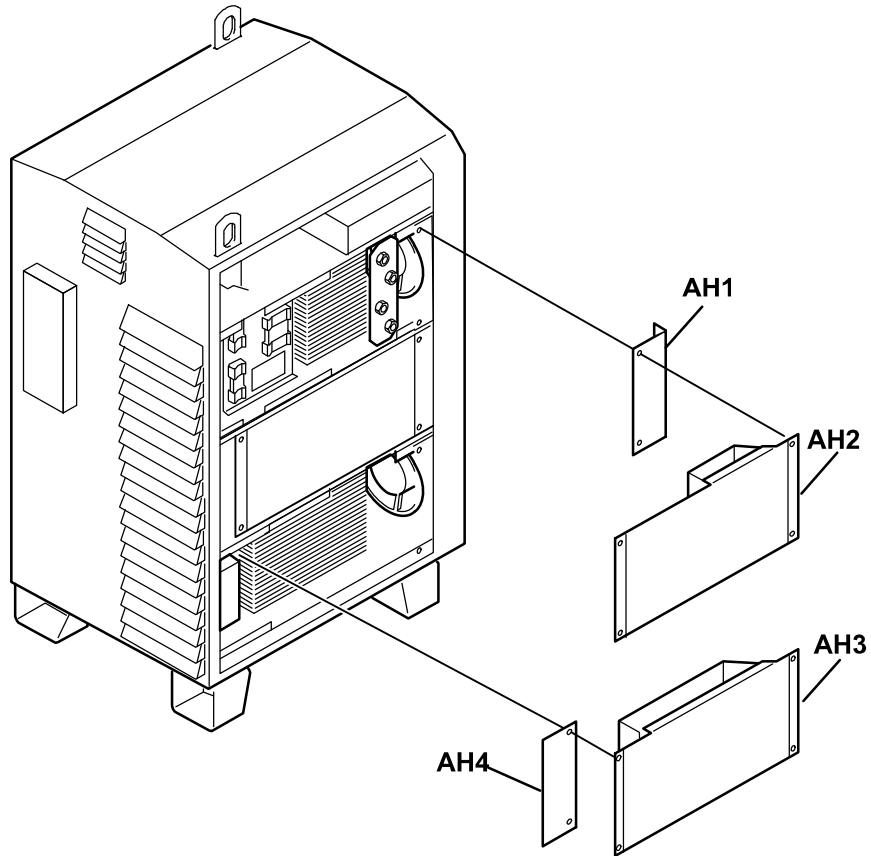
Item	Ordering no.	Denomination	Notes
AG50	0465 228 880	IGBT modules set	Includes: item AG19 (18PM1, 18PM2, 18PM3, 18PM4, 18PM5), screws M6x20, thermal compound, roller and mounting instruction
AG51	0465 229 880	IGBT modules set	Includes: item AG20 (18PM6), screws M6x20, thermal compound, roller and mounting instruction
AG52	0465 230 880	Rectifier set	Includes: item AG21 (15BR1), screw M5x16, thermal compound, roller and mounting instruction

Aristo 1000 AC/DC SAW



Aristo 1000 AC/DC SAW

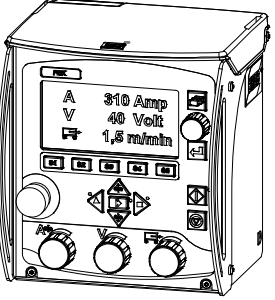
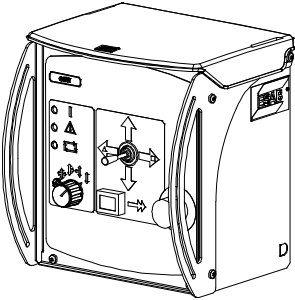
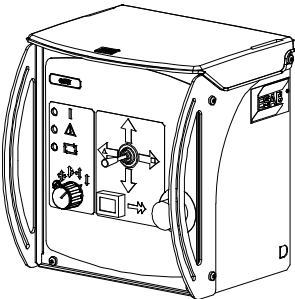
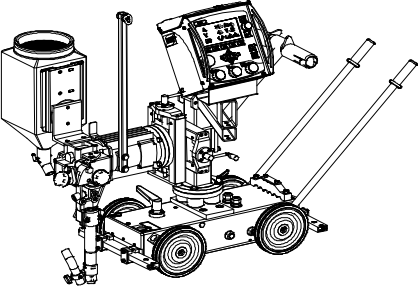
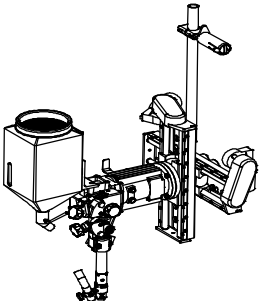
Item	Qty	Ordering no.	Denomination	Notes
AH1	3	0463 143 001	Extension plate	
AH2	2	0465 053 881	Cover plate complete	
AH3	1	0462 098 881	Cover plate complet	
AH4	3	0463 111 001	Frame bracket	



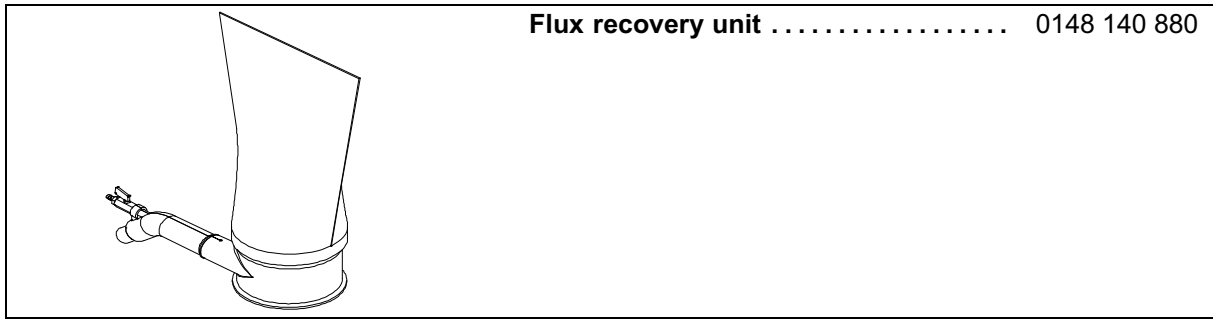
AH 0968

Aristo 1000 AC/DC SAW

Accessories

 A rectangular control unit with a digital display showing '310 Amp', '40 Volt', and '1,6 m/min'. It has several buttons and knobs on the front panel.	Control unit PEK 0460 504 880
 A rectangular control unit with a central dial and several buttons. It has a carrying handle on the left side.	Joint tracking unit GMH 0460 503 881
 A rectangular control unit with a central dial and several buttons, similar to the GMH unit but with a different button layout.	Control unit for motorised slides PAV 0460 502 881
 A complex mechanical assembly with a control panel on top, mounted on a base with wheels and a handle.	Welding automat A6 Mastertrac 0461 235 880
 A mechanical assembly consisting of a control unit and a welding head mechanism, including a vertical support arm.	Welding head A6 SF F1 SAW 0449 270 900

Aristo 1000 AC/DC SAW



For more information regarding components for the A2 / A6 system see separate brochures.

